



The Solution Go Green!

Parabit's Virtual Concierge Kiosk can educate, inform, assist and entertain your guests 24/7 through on-demand printing of information and marketing material. Our self-service kiosk solution combines cutting edge LCD technology, progressive design and proprietary software.

Function

With Parabit's Virtual Concierge software, an unlimited amount of brochures can be displayed on your kiosk! The Aveta Kiosk generates advertising revenue through digital signage and interactive brochure space sales. Typical return on investment is less than one year after deployment in high traffic areas!



Mini Aveta
Single Side LCD
Configuration

Aveta
Dual Side LCD
Configuration
with a Printer



Pomona

Benefits

Cost Effective

- Eliminate the need to mass produce brochures (Go Green effort)
- Reduce storage and transportation fees
- Print real-time information

Marketing

- Analyze statistical information obtained from the kiosk
- Display different content as the user approaches the kiosk

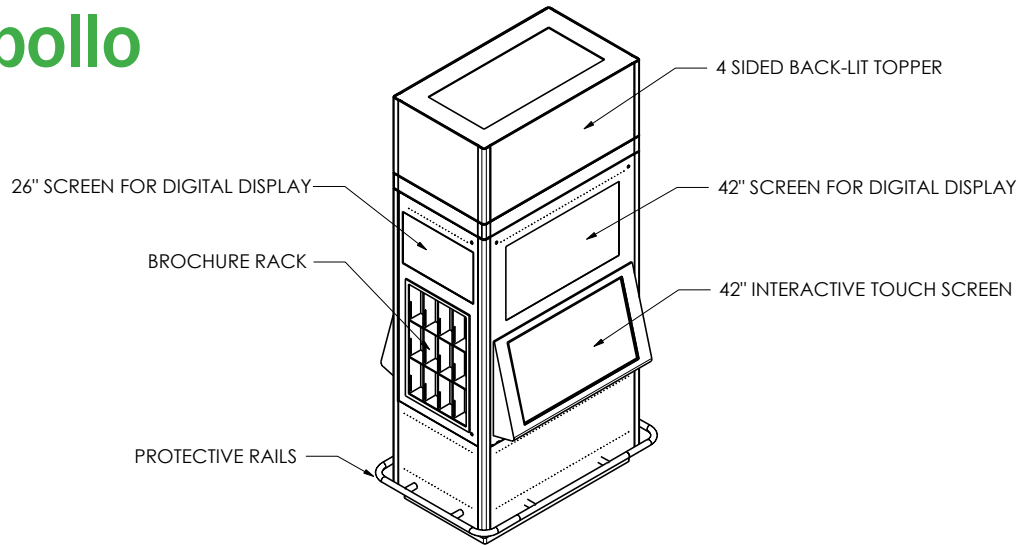
Revenue Generation

- Generate new revenue through our digital signage solution (i.e. advertisement for local merchants)
- Promotion of products and services via coupon printing

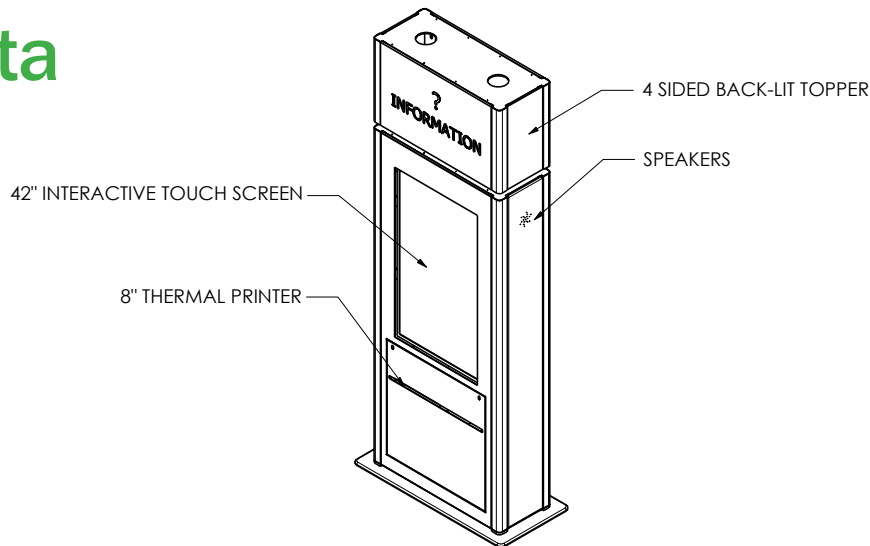
Security

- Auto refresh when user steps away from the kiosk
- Restrict users from minimizing or closing the application without proper authorization
- Flexibility to authorize which Web sites may be displayed
- Integrated kiosk browser capable of displaying Web pages and imagery (.gif, .jpg, .png, and .bmp), videos, Flash and PDF's)

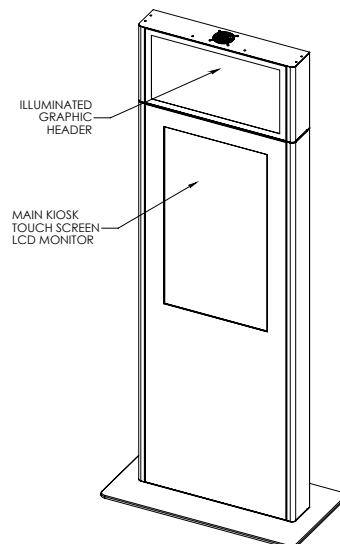
Apollo



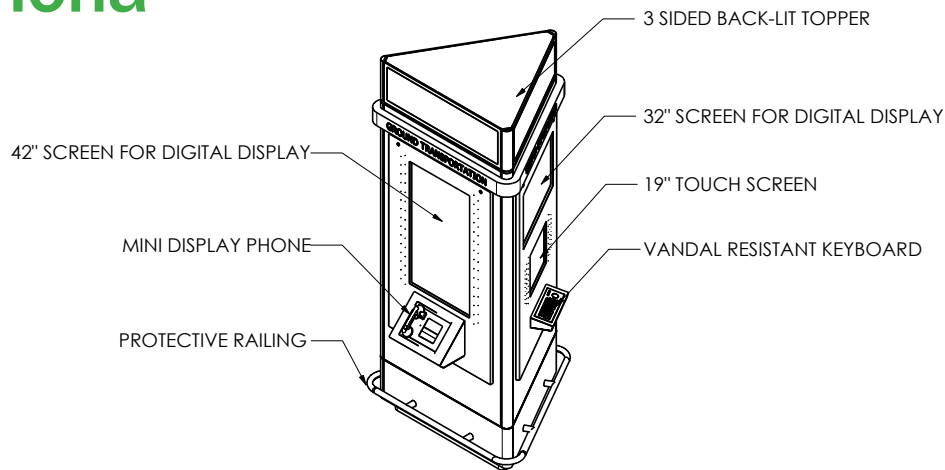
Aveta



Aveta Mini



Pomona



Tablet Kiosk

