



The Solution

Tickets! Tickets! Get Your Tickets!



Gift Cards / Loyalty Cards

Parabit's Gift Card and Pre-Paid Debit Card dispensing kiosk gives consumers the flexibility to choose what items they purchase without having to wait on a long line or a lengthy transaction.

The customer is able to design, print and purchase personalized gift cards through the kiosk's user friendly interactive interface. First the customer enters a desired value, then a personalized message may be added to the card by using either the touch screen or keyboard. The client can pay either by entering a customer code or by swiping a credit card, then the kiosk prints a personalized card and a receipt for the purchase.

Benefits

- Reduced wait times
- Payment processing service
- Digital Signage advertisement sales
- Real-time monitoring of all peripherals
- Load value or dispense pre-value cards
- Secured Web-based transaction reports
- Branding on face of card promotes your business
- Increased impulse purchases and total spending
- Increased efficiency for customer service personnel

Ticketing Kiosks

Parabit Ticketing Kiosks not only attract more people to buy tickets in a non-traditional manner, they are also user-friendly. Seating is selected by looking at the overview of the venue. Kiosk point of sale software gives customers the ability to pay with a credit card or a loyalty card for promotional deals. Tickets can be printed on the client's own card stock for branding purposes.

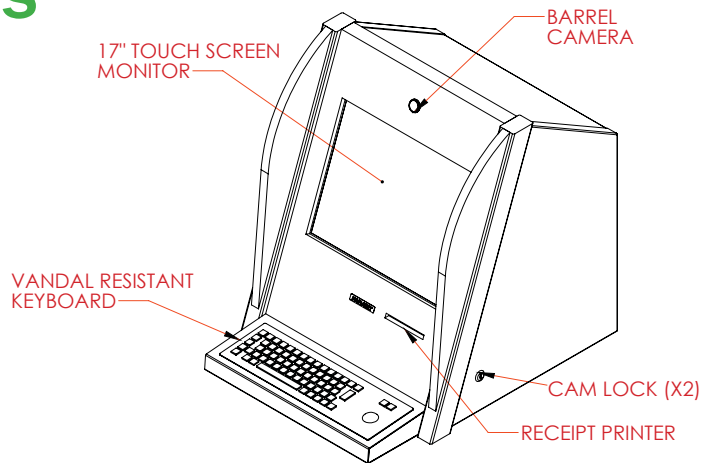
Benefits

- Reduced que waiting
- Reduction in employee overhead
- Create convenience for customers
- Opportunity for cross selling tickets for other events
- Kiosks located in public areas present opportunity for impulse buying
- Strong visual presence of clients that can be placed anywhere in public
- Establish more distribution points through off-site location kiosk deployments

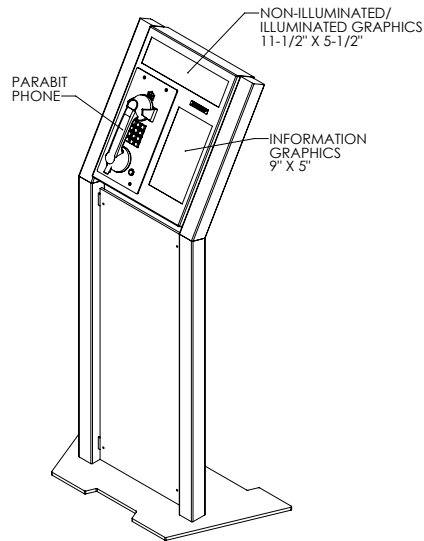


Sample Kiosk User Interface Screen

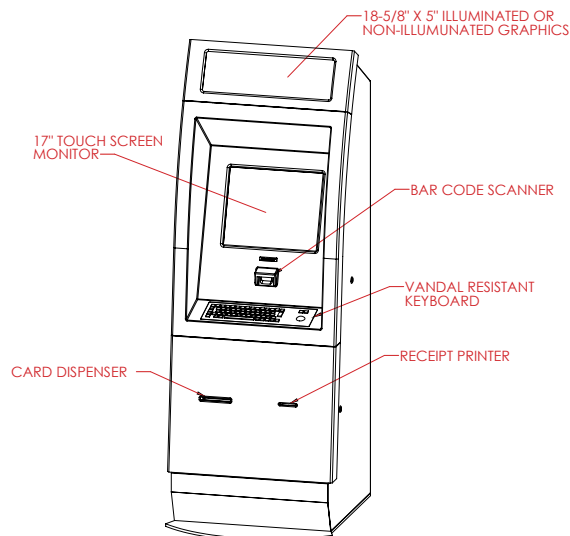
Helius



Janus



Poseidon



Venus

